



Design Atelier Specifications

DAS-1

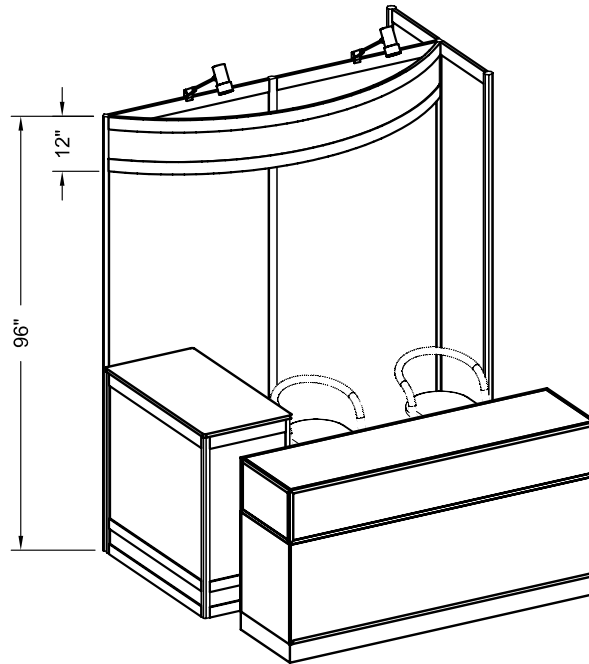
RETURN TO: GES Exposition Services® • 7050 Lindell Road, Las Vegas, NV 89118 • FAX: 866.329.1437 or 702.263.1520 for international exhibitors
Contact us Online: www.ges.com/contact Phone: 800.475.2098 or 702.515.5970 for international exhibitors

All orders are governed by the GES Payment Policy and GES Terms & Conditions of Contract as specified in this Exhibitor Manual.

Design Atelier - Couture
Wynn Las Vegas • May 28 - June 2, 2009

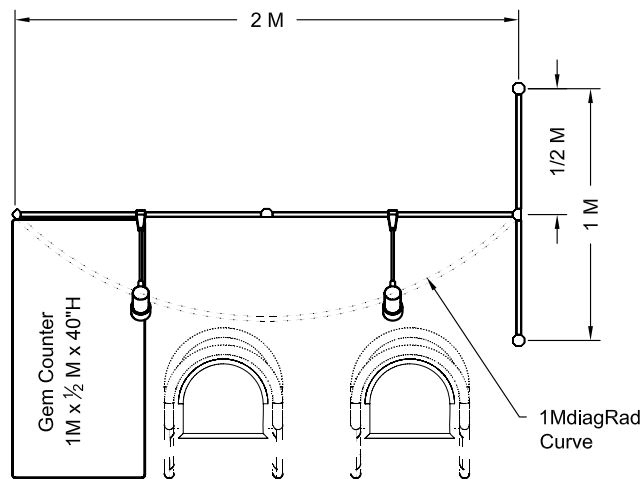
FORM DEADLINE DATE:
May 12, 2009

COMPANY NAME	EMAIL ADDRESS	BOOTH NUMBER
--------------	---------------	--------------



ISOMETRIC VIEW

SCALE: NTS



6' - 1/4 View Showcase
Provided by Show Management

PLAN VIEW

SCALE: 1/2"=1'-0"

110205