

		PIECE COUNT						
LABEL	QTY	PART NUMBER	DESCRIPTION	COLOR	LENGTH	HEIGHT	THICKNESS	NOTES
	8	P80_096	8' P80	Silver		96"		
	6	H70_037	1m H70	Silver	37 9/16"			
	8	H70_017	1/2m H70	Silver	17 7/8"			
	2	C70_053	1 md curve	Silver	53 7/8"			
A	3	PAN_EC	White Corflite	Laminate	38 1/8"	91 3/8"	1/8"	7062- Congo Spruce
B	4	PAN_FC	White Corflite	Laminte	18 1/2"	91 3/8"	1/8"	7062- Congo Spruce
C	1	PAN_NV	Sintra	White	86 1/4"	12"	1/8"	Graphics

- ELECTRICAL LEGEND**
- ☐ = MAIN POWER AND TELEPHONE DROP
  - ⊕ = POWER OUTLET
  - ▲ = TELEPHONE OUTLET
  - - - = POWER LINE UNDER CARPET
  - = POWER LINE OVER CARPET
  - = GRID IS 12" X12"

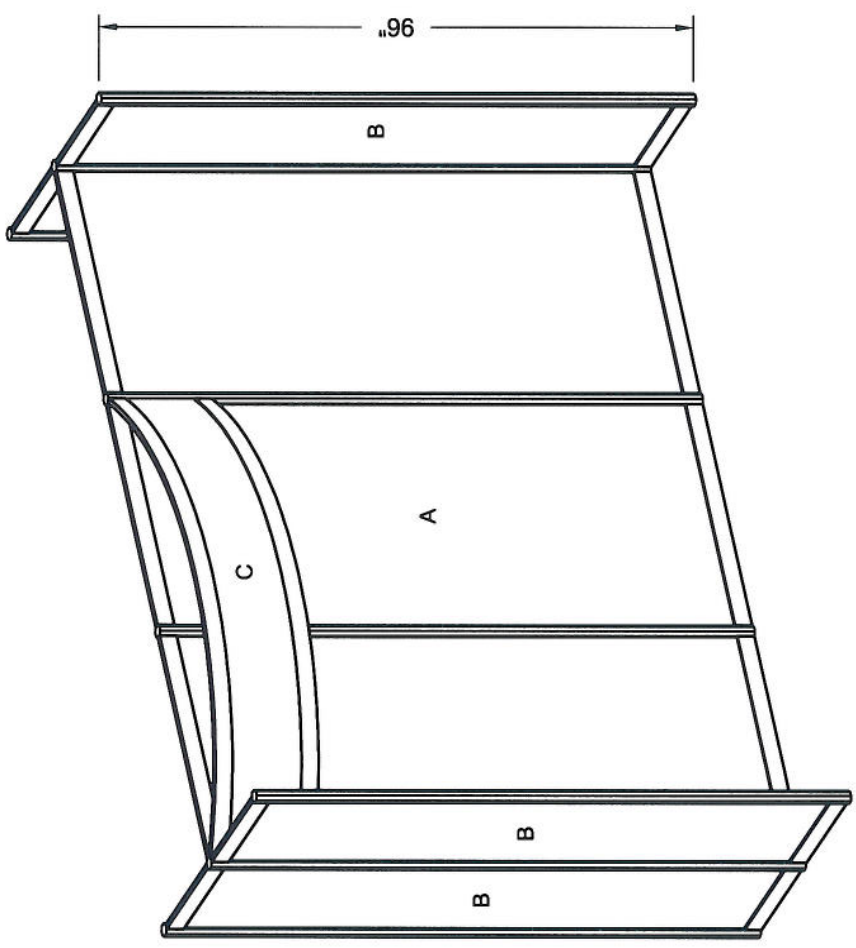
CORE SALES ORDER No: 00000  
 CORE WORK ORDER No: 00000.000.000.000

**CONTACTS:**

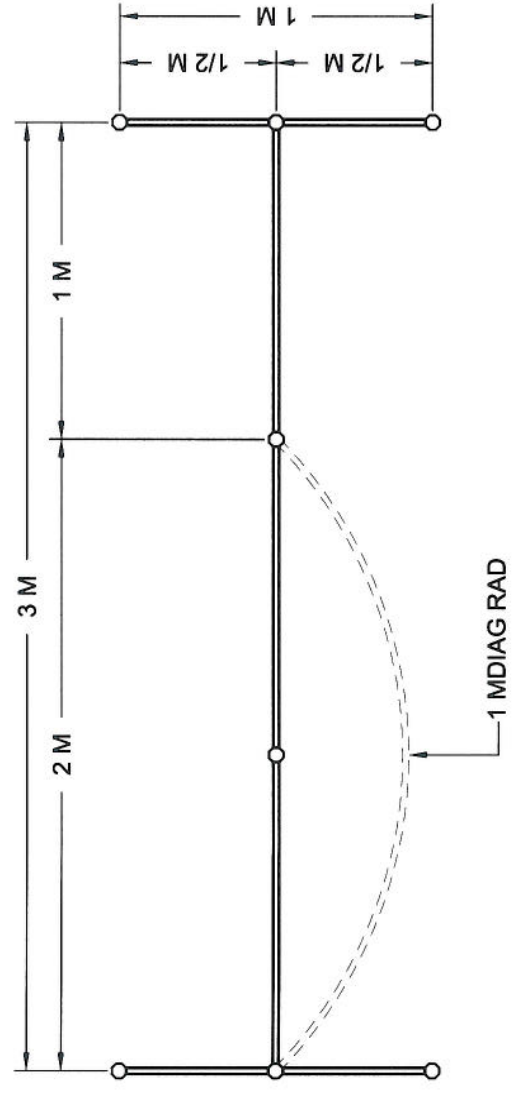
AE: MOBILE  
 AM: MOBILE  
 PM: Kevin O'Rourke MOBILE 702-296-6674

**DETAILING REVISION**

No.	DATE	BY	DESCRIPTION



**ISOMETRIC VIEW**  
 SCALE: NTS



**PLAN VIEW**  
 SCALE: 1/2" = 1'-0"